



WESTEND COFFEE COMPANY

HIGH-END NOVA SERIES PRO AUTOMATIC INTELLIGENT ROASTING MACHINE

MAIN FEATURES

Westend Nova Series:

Smart Coffee Roasting Reimagined

The Westend Nova Series is a premium line of semi-hot blast, half direct-fire coffee roasters, equipped with a cast iron drum and dual-layer thermal insulation. This design delivers stable heat radiation and rich airflow, ensuring every batch of beans puffs evenly and roasts consistently.

Thanks to high thermal efficiency, dark roasts can be achieved in under 10 minutes without compromising the bean's natural flavor and aroma. The Nova Series strikes the ideal balance between manual control and intelligent support, offering exceptional flexibility for roasters of all levels.

Westend Nova Pro:

Fully Automatic Precision Roasting: The Nova Pro takes coffee roasting to the next level with advanced automation and intelligent replication. A fully touchscreen-controlled system automatically manages exhaust, temperature, and compensatory adjustments based on pre-set profiles — ensuring consistent results with every batch.

Key Features of Nova Pro:

- **Auto Roast Replication:** Precisely duplicates manual roast profiles with no variation, enabling consistent flavor output across all batches.
- **Fast Cooling System:** Includes a high-speed, high-temperature-resistant fan designed in-house, achieving rapid bean cooling in under 2 minutes.
- **Roast Curve Memory:** Stores over 10,000 roasting curves, making it easy to save, copy, and automate previous roasts with the touch of a button.
- **Smart Start Detection:** Detects the green bean temperature at charge and adjusts roasting parameters automatically, ensuring precise control from the very first second.
- **Turning Point Calibration:** Tracks and stabilises the turning point of every batch to deliver identical heat input and timing with each roast.
- **Automatic Discharge & Cooling:** Roasted beans are discharged automatically, and bean temperature is precisely managed during cooldown for peak quality.
- **Environmental Compensation:** The machine adjusts for external weather changes, eliminating roast drift due to ambient temperature shifts.
- **Tight Temperature Precision:** Maintains temperature accuracy within $\pm 0.1^{\circ}\text{C}$ to $\pm 0.5^{\circ}\text{C}$ across the entire roast curve.
- **High-Resolution Fire Control:** Digital flame control with 100:1 resolution allows micro-adjustments in gas and airflow, with wind/gas pressure stability that ensures uniform caramelisation and development across all batches.

The Nova Pro doesn't just automate roasting, it elevates it. Built to free your hands, remove variability, and give you absolute confidence in every roast.

Parameters Table

Technical Data	Model	NOVA 1.5KG PRO Automatic Coffee Roaster	NOVA 6KG PRO Automatic Coffee Roaster
Basic Parameters	Batch Capacity	1000G-1800G/batch	3500-7000G/batch
	Roasting Output	4~9kg/hour	18~28kg/hour
	Roasting Time Heating	6-12 mins/ batch (After preheating at 200°C)	
	Type Temperature	LPG gas(propane)/Natural Gas	
	Range	0-400°C adjustable	
	Drum Construction	Cast iron double layer drum	
	Cooling Time	1-2 minutes	
	Gas Consumption	0.25kg/hour	0.8kg/hour
Power	Drum Motor Cooling	40W	400W
	Tray Fan Motor Hot Air	240W	750W
	Fan Motor Cooling	250W	750W
	Mixing Motor	10W	100W
	Gas-type Total Power	0.6kW	2.2kW
Description	Machine Weight	130KG	230KG
	Machine Dimension	1350*800*1150mm (W*D*H)	2200*1300*2000mm (W*D*H)
	Body Color	Red/Black/White/Blue/Green/Customize	
	Drum Housing color	Stainless steel/Gold/Rose gold/Copper/Customize	
	Package	Film plastic&wooden case	
	Packing Size	1300*490*960cm(W*D*H)	Will be updated
	Gross Weight	About180KG	Will be updated
	Accessories	Maintenance tool kit*1, Allen wrench set*1, cleaning brush head*1, data logger USB cable*1, gas pipe grommet*4 pieces, aluminum foil exhaust pipe*1, pipe clamps*2, circuit fuse*2, gas appliance nozzle (gas type)*1, pressure gauge*1, copper pipe sleeve set*1, user's manual*1	
Others	Certificate	CE/RoHS/ISO9001	
	Software	Westend Roasting System	
	Warranty	1 year limited(can be extended to 2~3 years with upcost)	
	After-sale Service	24/7 online after-sale service support and free spare parts for replacement on our cost	

Technical Data	Model	NOVA 12KG PRO Automatic Coffee Roaster	NOVA 15KG PRO Automatic Coffee Roaster
Basic Parameters	Batch Capacity	8KG-12KG/batch	13KG-18KG/batch
	Roasting Output	32~48kg/hour	39~54kg/hour
	Roasting Time	Reference: 10-15 minutes/batch	
	Heating Type	Liquefied petroleum gas (propane)/natural gas	
	Temperature Range	0-400°C adjustable	
	Drum Construction	Cast Iron double layer drum	Cast Iron double layer drum
	Cooling Time	3-5minutes	3-5minutes
	Natural gas consumption	3m ³ /hour	4m ³ /hour
	LPG consumption	1.2KG/hour	1.5KG/hour
Power	Drum Motor	750W	750W
	Cooling Tray Fan Motor	1500W	1500W
	Hot Air Fan Motor	750W	1500W
	Cooling Mixing Motor	100W	100W
	Feeding motor	750W	750W
	Gas-type Total Power (Equipment with attached electronics)	4200W	5000W
Description	Machine Weight	Will be Updated	Will be Updated
	Machine Dimension	Will be Updated	Will be Updated
	Body Color	Red/Black/White/Blue/Green/Customize	
	Drum Housing Color	Stainless steel	
	Package	Film plastic&wooden case	
	Packing Size	Will be Updated	Will be Updated
	Gross Weight	Will be Updated	Will be Updated
	Accessories	Maintenance tool kit*1, Allen wrench set*1, cleaning brush head*1, data logger USB cable*1, gas pipe grommet*4 pieces, aluminum foil exhaust pipe*1, pipe clamps*2, circuit fuse*2, gas appliance nozzle (gas type)*1, pressure gauge*1, copper pipe sleeve set*1, user's manual*1	
Others	Certificate	CE/RoHS/ISO9001	
	Software	Westend Roasting System	
	Warranty	1 year limited(can be extended to 2~3 years with upcost)	
	After-sale Service	24/7 online after-sale service support and free spare parts for replacement on our cost	

Technical Data	Model	NOVA 20KG PRO Automatic Coffee Roaster	NOVA 30KG PRO Automatic Coffee Roaster
Basic Parameters	BatchCapacity	15-23KG/batch	25KG-38KG/batch
	RoastingOutput	60~80kg/hour	90~120kg/hour
	Roasting Time	Reference:15-20 minutes/batch	Reference:15-22 minutes/batch
	HeatingType	Liquefied Petroleum Gas(propane)/Natural Gas	
	TemperatureRange	0-400°C Adjustable	
	DrumConstruction	Cast Iron Double Layer Drum	Cast Iron Double Layer Drum
	CoolingTime	3-5minutes	3-5minutes
	Naturalgasconsumption	4.53m ³ /hour	3-5.8m ³ /hour
	LPGconsumption	1.73m ³ /hour	1.5-2m ³ /hour
Power	DrumMotor	1100W	1100W
	CoolingTrayFanMotor	2200W	2200W
	HotAirFanMotor	750W	1500W
	CoolingMixingMotor	400W	400W
	Feedingmotor	2200W	2200W
	Gas-type Total Power (Equipmentwithattached electronics)	6800W	7500W
Description	Machine Weight	Will be updated	Will be updated
	Machine Dimension	Will be updated	Will be updated
	Body Color	Red/Black/White/Blue/Green/Customize	
	Drum Housing color	Stainlesssteel	
	Package	Filmpastic&woodencase	
	Packing Size	Will be updated	Will be updated
	Gross Weight	Will be updated	Will be updated
	Accessories	Maintenance tool kit*1, Allen wrench set*1, cleaning brush head*1, data logger USB cable*1, gas pipe grommet*4 pieces,aluminumfoilexhaustpipe*1,pipeclamps*2,circuit fuse*2, gas appliance nozzle (gas type)*1, pressure gauge*1, copper pipe sleeve set*1, user's manual*1	
Others	Certificate	CE/RoHS/ISO9001	
	Software	Westend roasting system	
	Warranty	1 year limited(can be extended to 2~3 years with upcost)	
	After-sale Service	24/7 online after-sale service support and free spare parts for replacement on our cost	

Technical Data	Model	NOVA 60KG PRO Automatic Coffee Roaster	NOVA 120KG PRO Automatic Coffee Roaster
Basic Parameters	Batch Capacity	50-60KG/batch	100-120KG/batch
	Roasting Output	150~180kg/hour	200~240kg/hour
	Roasting Time	Reference:15-22 minutes/batch	Reference:18-25 minutes/batch
	Heating Type	Liquefied petroleum gas (propane)/natural gas	
	Temperature Range	0-400°C adjustable	
	Drum Construction	cast iron single layer drum	
	Cooling Time	3-5minutes	
	Natural gas consumption	6-8.8m ³ /hour	28m ³ /hour
	LPG consumption	3-3.2m ³ /hour	13m ³ /hour
Power	Drum Motor	2200W	2200W
	Cooling Tray Fan Motor	5500W	5500W
	Hot Air Fan Motor	2200W	2200W
	Cooling Mixing Motor	400W	750W
	Feeding motor	5500W	1500W
	Destoner	/	2200W
	Gas-type Total Power (Equipment with attached electronics)	16000W	24200W
Description	Machine Weight	Will be updated	Will be updated
	Machine Dimension	Will be updated	Will be updated
	Body Color	Red/Black/White/Blue/Green/Customize	
	Drum Housing color	Stainless steel	
	Package	Film plastic&wooden case	
	Packing Size	Will be updated	Will be updated
	Gross Weight	Will be updated	Will be updated
	Accessories	Maintenance tool kit*1, Allen wrench set*1, cleaning brush head*1, data logger USB cable*1, gas pipe grommet*4 pieces, aluminum foil exhaust pipe*1, pipe clamps*2, circuit fuse*2, gas appliance nozzle (gas type)*1, pressure gauge*1, copper pipe sleeve set*1, user's manual*1	
Others	Certificate	CE/RoHS/ISO9001	
	Software	Westend Roasting System	
	Warranty	1 year limited(can be extended to 2~3 years with upcost)	
	After-sale Service	24/7 online after-sale service support and free spare parts for replacement on our cost	

PREMIUM MATERIALS AND PRECISION ENGINEERING

- Double-layered drum for optimal heat control and consistent roasting results.
- Four independent high-performance ADDKA motors from Japan enable roasting and cooling at the same time, with accurate speed regulation.
- High-grade Sweden SKF universal joint bearings maintain drum spacing within 0.5mm, ensuring optimal heat transfer.
- German-engineered dual thermocouple sensors deliver accurate monitoring of both bean and exhaust temperatures.



ECHO-FRIENDLY SOLUTIONS

Japanese-made burner ensures full 360-degree roast coverage with ultra-low energy use, averaging only US\$0.27 per hour in gas (data: Caroline, USA, 2019). 2) Choose electric models to reduce emissions and support sustainable roasting. 3) 30mm ceramic fiber insulation is cancer-free and highly heat resistant, minimizing energy loss while maintaining optimal thermal stability during operation.



CARE FREE ROASTING

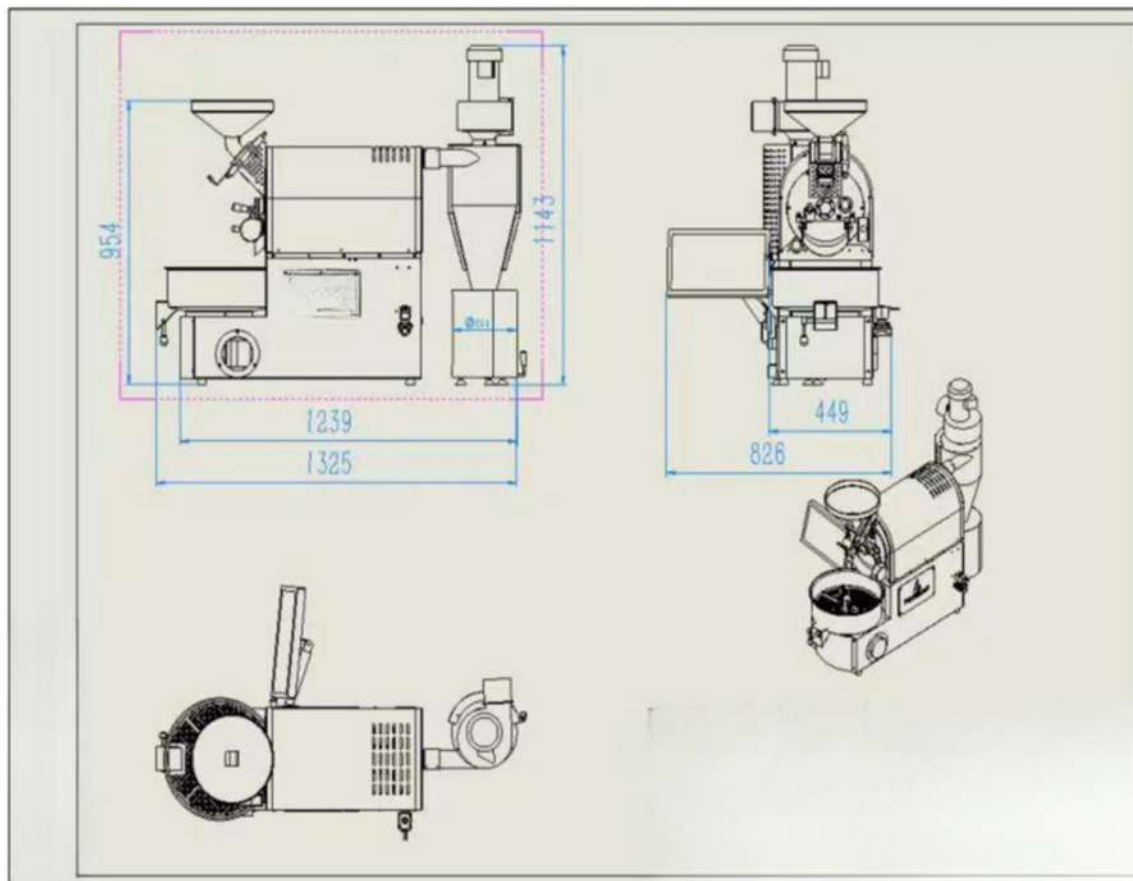
A built-in data logger module allows compatibility with major roasting software, including Westend and Artisan. These advanced platforms offer wide device support and robust features for tracking and analyzing roast data. All roasting data is automatically recorded, making it easy to reference, review, and repeat successful profiles. 2) Stores over 100,000 roast profiles, covering various bean types and roast levels. 3) Simply select your preferred profile, and the system will preheat and prepare the correct gas levels automatically. 4) Enjoy your coffee while roasting. The machine is fully automatic, letting you focus on the experience.



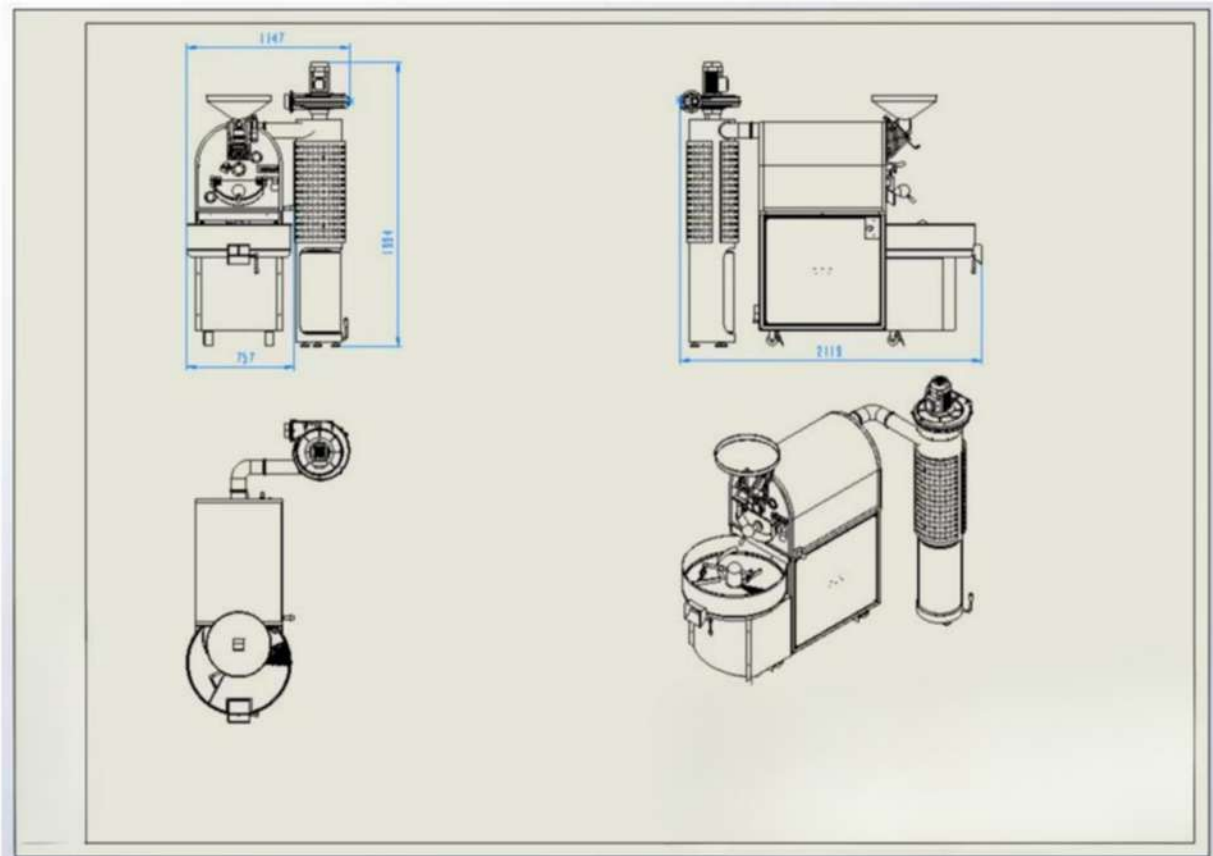
PERSONAL ATTENTION

With every roaster purchase, you receive dedicated support from start to finish, including 24/7 online after-sales assistance and a 1-year limited warranty. 2) Easily toggle between manual and fully automatic roasting modes to suit your workflow. 3) Multi-language interface available, including full English support.

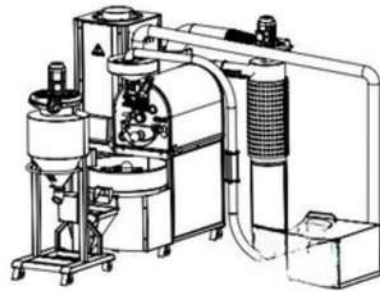
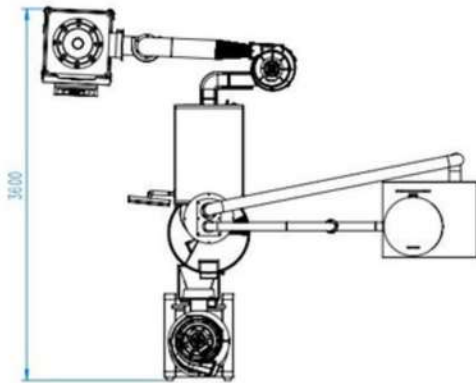
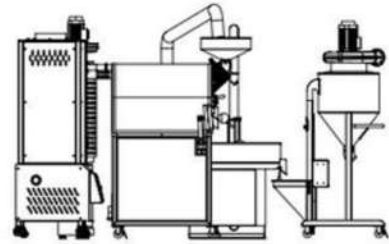
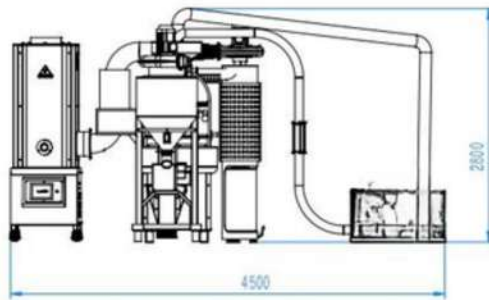
NOVA 1.5KG PRO AUTOMATIC COFFEE ROASTER:



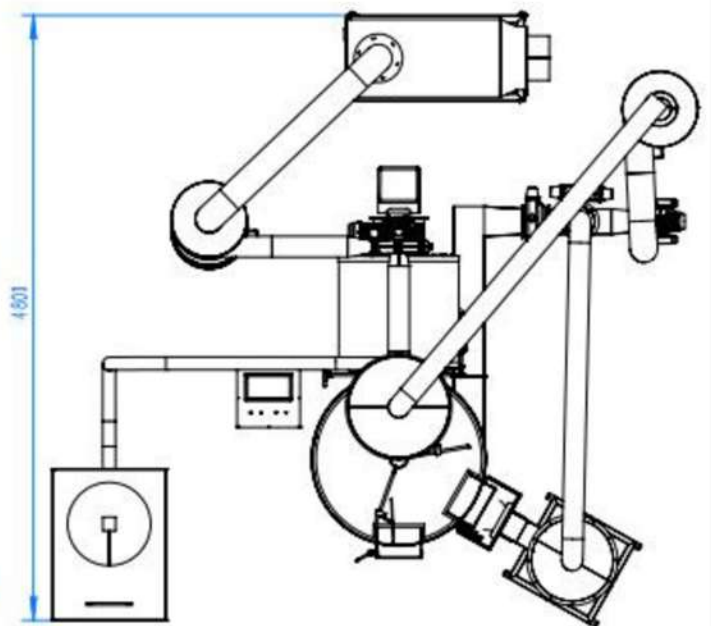
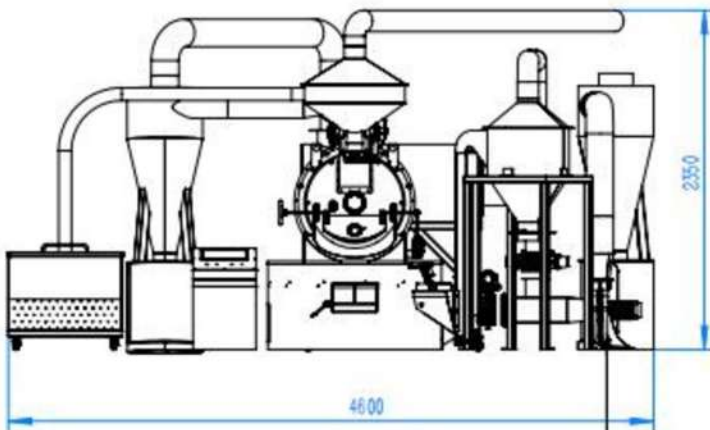
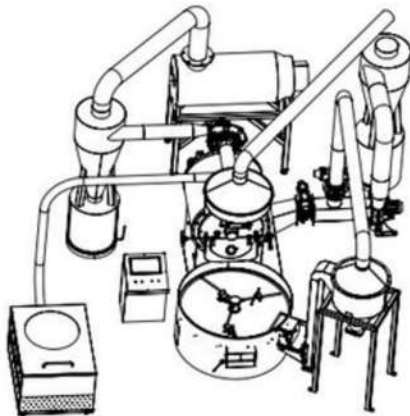
NOVA 6 KG PRO AUTOMATIC COFFEE ROASTER:



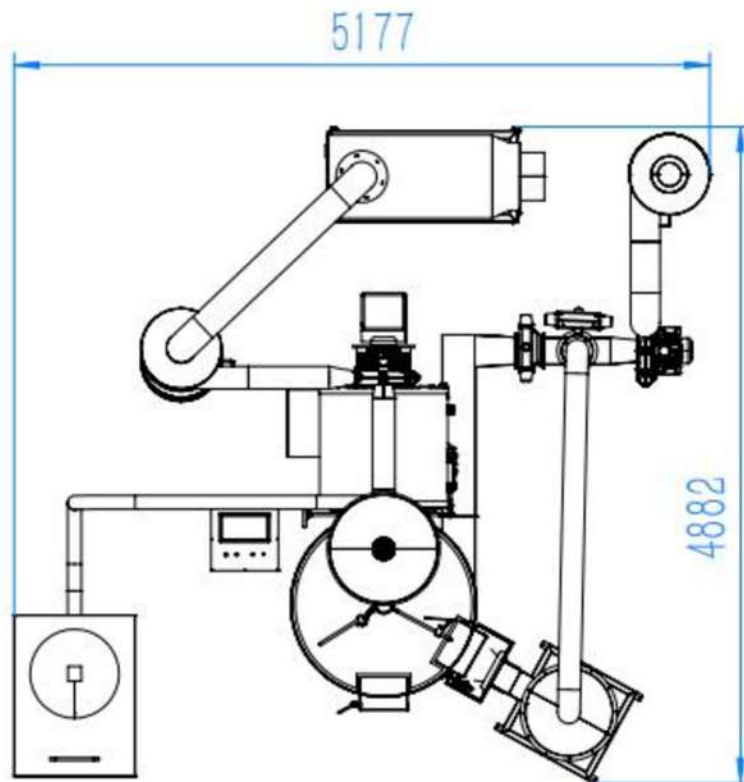
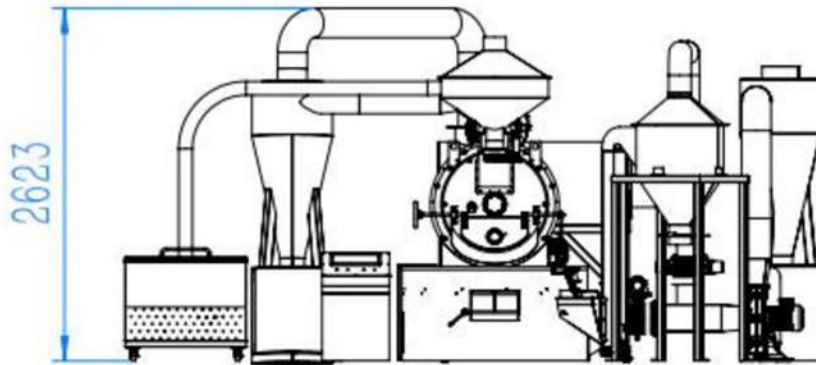
SD-15 KG PRO AUTOMATIC COFFEE ROASTER (CUSTOMIZED)



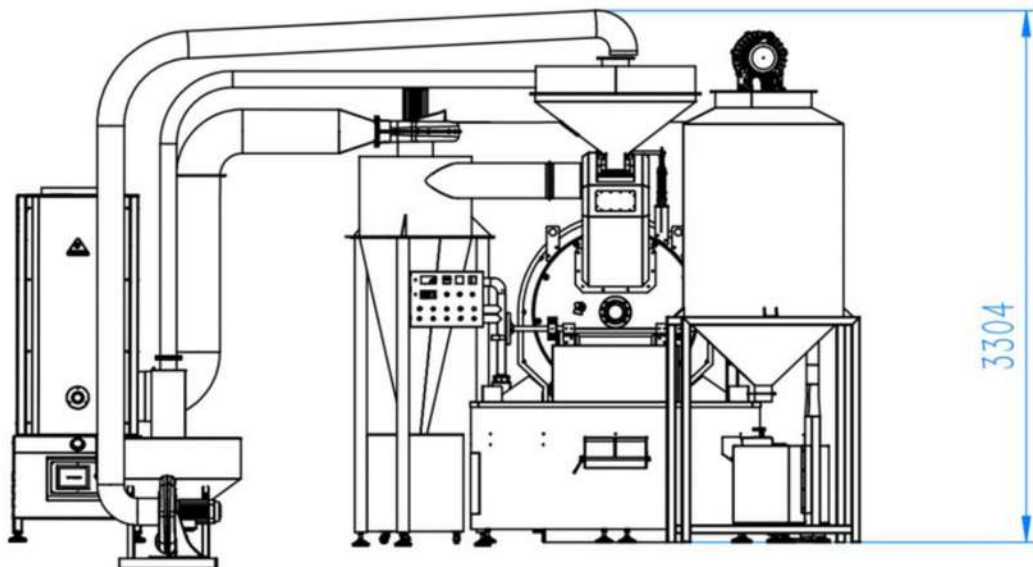
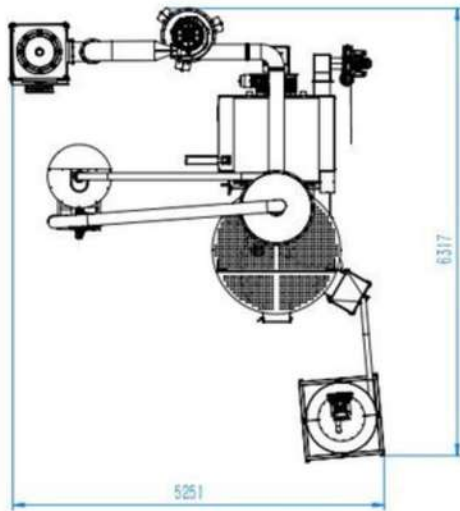
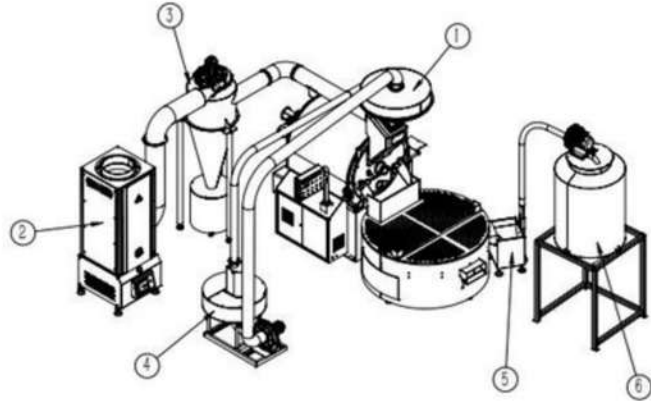
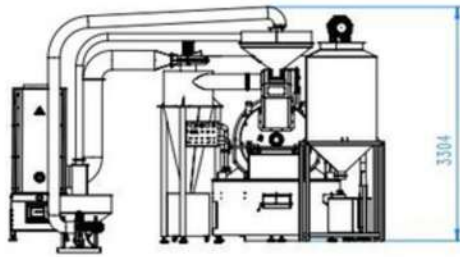
SD-20 KG PRO AUTOMATIC COFFEE ROASTER (CUSTOMIZED):



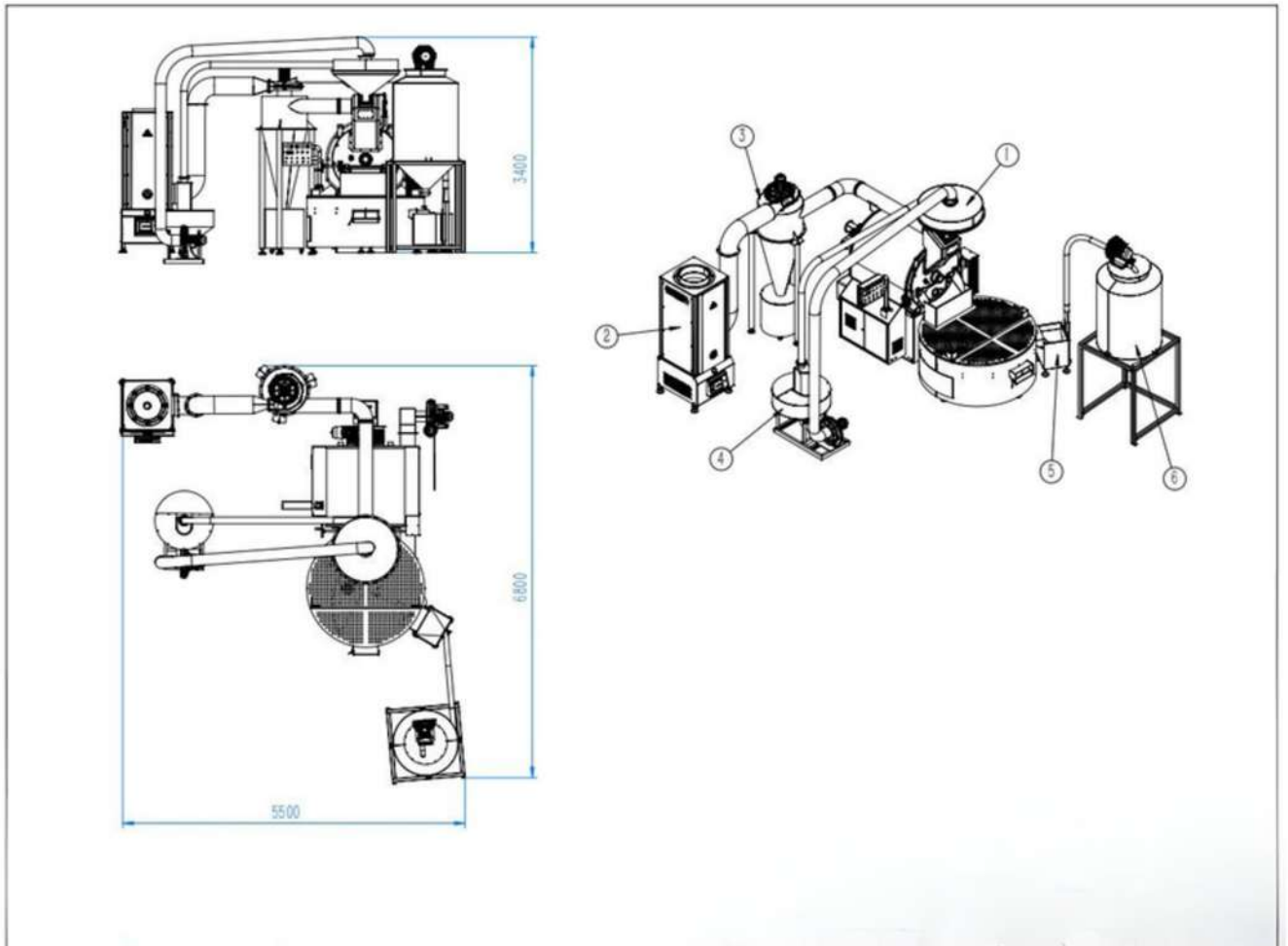
SD-30 KG PRO AUTOMATIC COFFEE ROASTER(CUSTOMIZED):



SD-60 KG PRO AUTOMATIC COFFEE ROASTER (CUSTOMIZED):



SD-120 KG PRO AUTOMATIC COFFEE ROASTER (CUSTOMIZED)

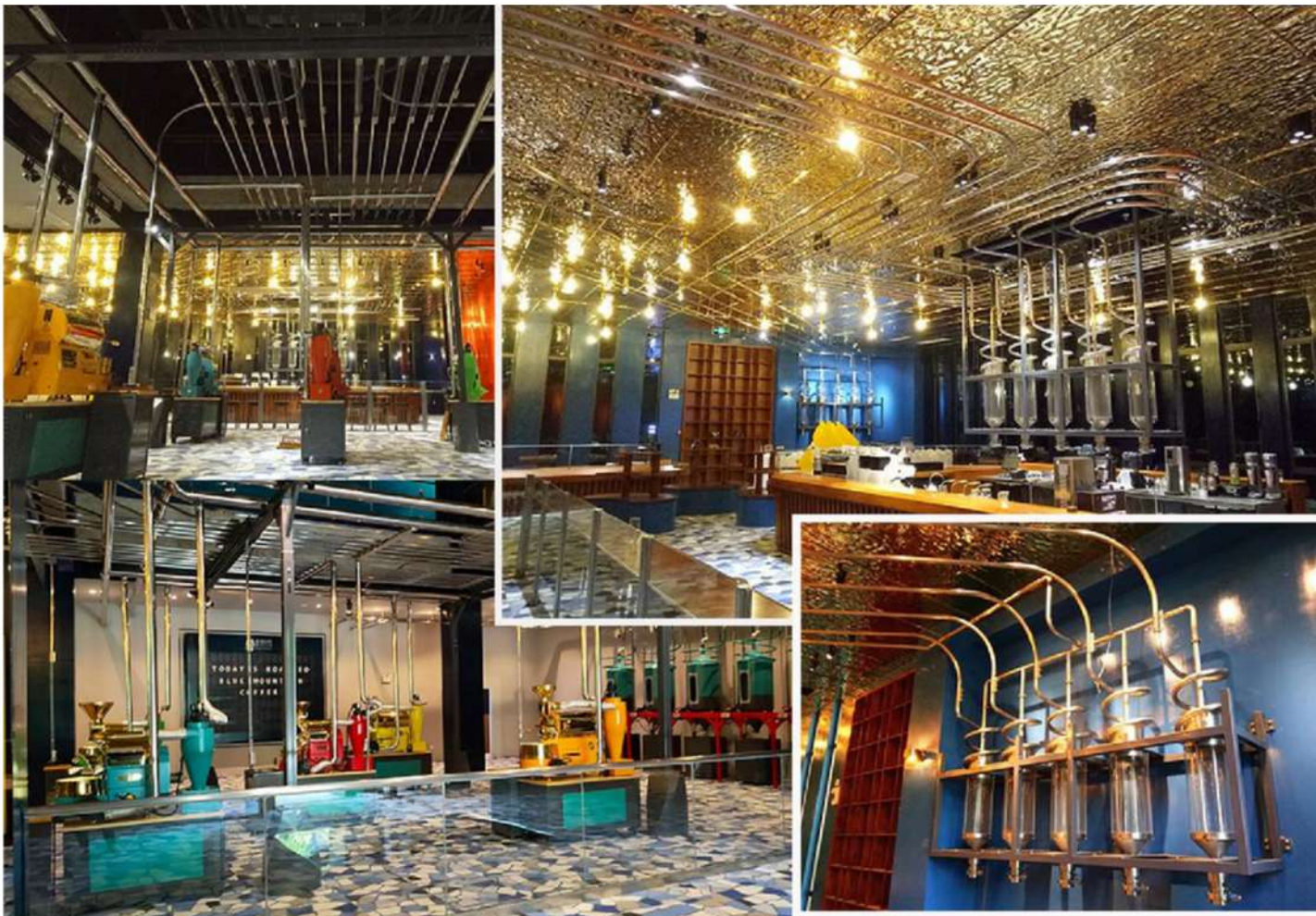


**PREFERRED BY RESPECTED COFFEE MASTER
ROASTERS BOTH LOCALLY AND INTERNATIONALLY.**





We Won't tell you how good our machine is. The Pro will !



WARRANTY LIMITATIONS

Free maintenance is not provided under warranty in the following situations:

- Damage resulting from natural disasters such as fire, earthquake, flood, lightning, abnormal voltage, pollution, or chemical corrosion.
- Failures caused by harsh environments (excess smoke, dust, moisture, outdoor exposure) or improper use and maintenance not in accordance with instructions.
- Improper installation or incorrect use of gas and power connections.
- Damage due to dropping, modification, collision, self-disassembly, or unauthorized repairs.
- Use of non-genuine parts or incorrect cleaning methods.